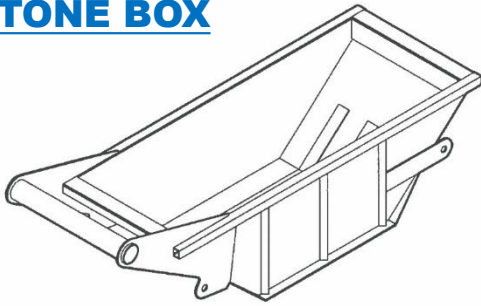


LOVEMAN

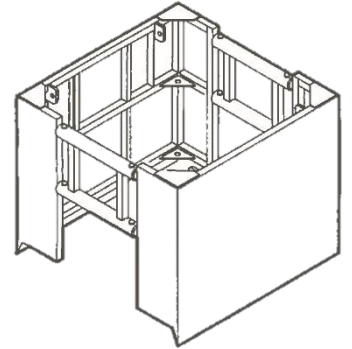
STEEL & FABRICATION

Construction & utilities

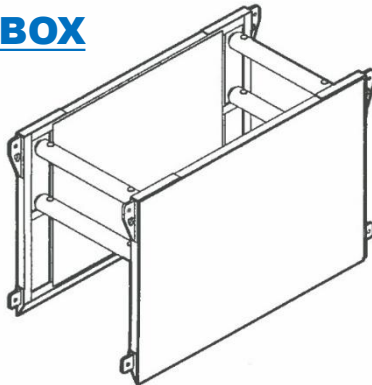
STONE BOX



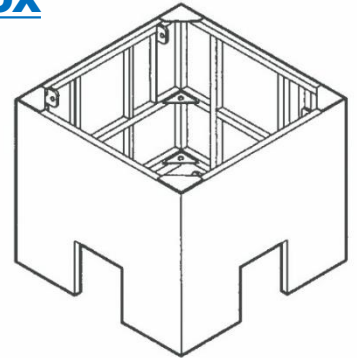
MANHOLE SHIELDING BOX



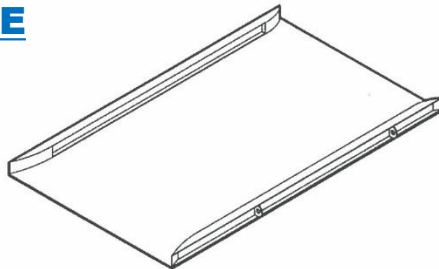
TRENCH BOX



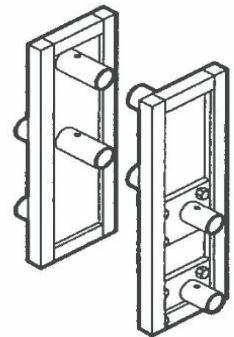
TAP HOLE BOX



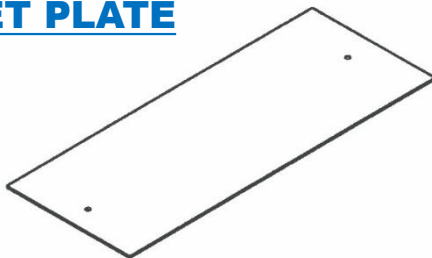
TEMPORARY BRIDGE



ADJUSTABLE END TRACK



STREET PLATE



MUCK BOX



*Keeping Job Sites
clean & safe!*